

**YETI MOTORS LTD**

An Astro Holdings Enterprise

**Lusaka - Lumumba Road Lusaka**

General enquiries: 0211 225 896 / Sales: 0974 235 490

Service & parts : 0975 385 357

E: sales@yetimotors.com / service@yetimotors.com

**Copperbelt - Chibuluma Road Kitwe**

General enquiries: 0212 211 096 / Sales: 0971 471 227

Service & parts : 0979 854 500

E: gm.copperbelt@astroholdings.co.zm

# H-100





# Your dependable business partner.

You demand a lot from your truck and for good reasons:  
Your customers expect the job to be on budget and on time.  
So no matter how tough the conditions, the H-100 delivers 100  
percent of the time.

# Professional

Sleek and modern, the H-100 is a real beauty. To light up the road ahead, clear-type headlamps light offer a choice of four modes including daytime running lights. But the H-100 is also a beast thanks to its powerful engine and ruggedly built ladder frame. When it comes to handling the bigger jobs, the H-100 proves more than capable but it also takes on the smaller ones with marvellous efficiency.



# Nice job

Purpose-built for the small business owner, the H-100 is a reliable and versatile performer that will help improve your bottom line. Designed to operate under the toughest of conditions, the H-100 is the confident choice of professionals.





# Total control

Driving perfection begins with the perfect seat position and a new, heftier steering wheel. You get clear lines of sight in all directions made even better by the logical, intuitive layout of instruments and controls. The cabin is simply a masterpiece of intelligent design.



**Driver seat adjustment system**  
allows sliding and reclining to keep you comfortable and relaxed. The lumbar support feature is exclusive to higher trim models.

## 01\_Efficient design

The gauge cluster features a simple but modern layout that is pure pleasure to the eyes. The speedometer and tachometer dials are large and easy-to-read, day or night. The standard equipment package includes an LCD odometer and trip computer.

## 02\_5 Speed manual transmission

Exclusive to the naturally-aspirated 2.6 engine, the 5-speed gearbox is notable for its remarkably smooth and efficient shifting, exceptional durability and low noise.

## 03\_The perfect cabin temperature

Centrally mounted with large, easy-to-use dials, the climate control system helps keep the driver and passenger fresh and alert. Air conditioning is optional.



01



02

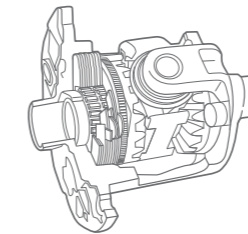


03



# Depend on it

H-100 powertrains are tried and true. Day in and day out, these workhorses are designed to work around the clock, seven days a week with a minimum of preventive maintenance requirements. The H-100: a truck you can truly depend on.



### Locking differential (LD)

When driving over soft, muddy or uneven road surfaces, you can suddenly lose traction and control of the vehicle. The Locking differential (LD) ensures that you get maximum traction. It is automatically activated at speeds over 30kph and is more efficient than a Limited slip differential (LSD).



### 80PS/17kg·m

#### 2.6 diesel engine

The naturally aspirated 2.6 diesel employs single overhead cams and delivers 80PS @ 4,000rpm and 17kg·m of torque at 2,200rpm.

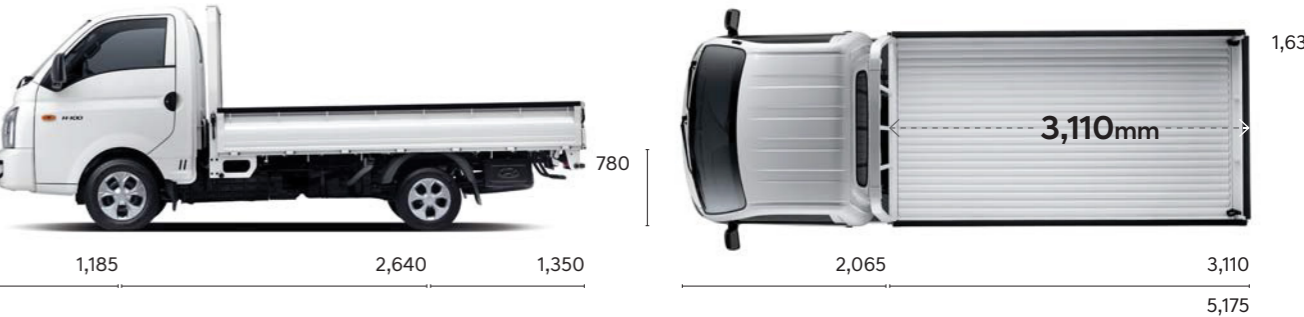


# Right for the job

The H-100 is a versatile performer, designed to meet a multitude of transport challenges. Each model offers a unique combination of cargo carrying capacity and deck height. So, whichever model you decide is right for you, the H-100 is always the confident choice.

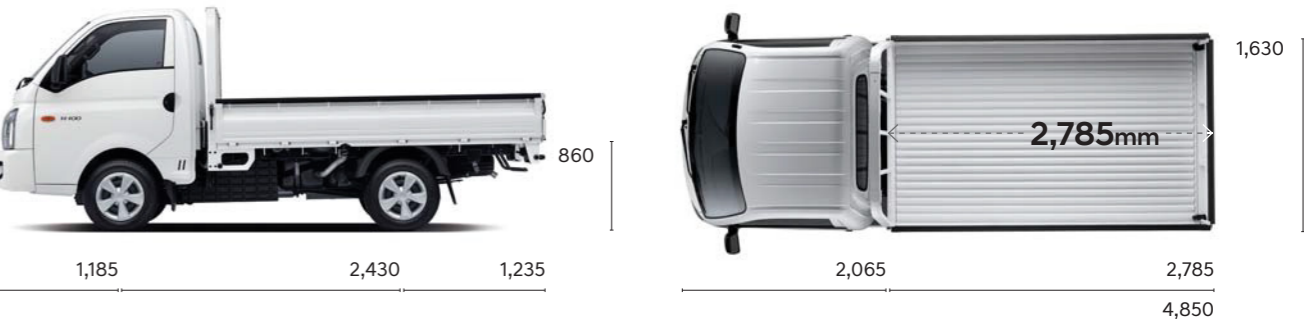
**Extra long wheel base standard cab** (Low type rear deck)

Unit : mm



**Long wheel base standard cab** (High type rear deck)

Unit : mm



# Features



Hood  
Power window controls

Side step

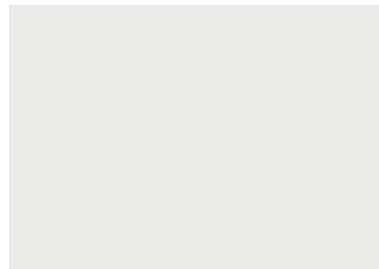
Tool-box  
Brim cover & tailgate bolt

Wide view outside mirror  
Bottle storage & door map pocket

Glove box  
Room lamp & sunglass holder

# Colors

## Exterior

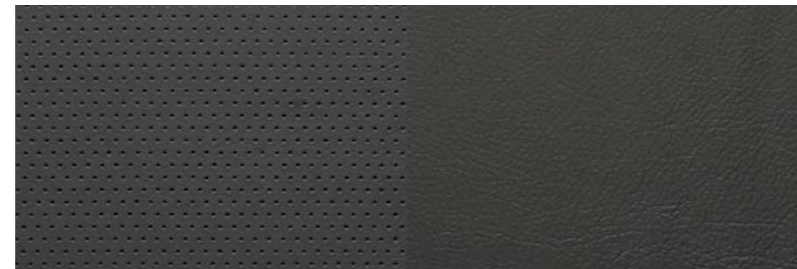


Creamy White YAW



Onyx Blue ZA

## Interior



Gray leather

# Wheels



15" Steel wheels

# Specifications

Type		Low deck	High deck
Cab		Standard	
Engine		2.6 diesel (Natural aspiration)	
Displacement (cc)		2,607	
Bore x stroke (mm)		91.1 x 100	
Compression ratio		22.0 : 1	
Max.Power (PS / rpm)		80 / 4,000	
Max.Torque (kg-m / rpm)		17 / 2,200	
Transmission	Type	Manual	
	Clutch	5-Speed	
		Type	Dry type with single friction plate
Disc. facing diameter (Outside x Thickness)		240 x 8.8	
Wheel & tire	Wheel type	Steel	
	Wheel size	Front	5.5J x 15"
		Rear	4.0J x 13"
	Tire size	Front	195 / 70R15C-8PR
		Rear	145R13C-8PR
Spare tire	Full-size 2ea	Full-size 1ea	

- Some of the equipment illustrated or described in this catalog may not be supplied as standard equipment and may be available at extra cost.
- Hyundai Motor Company reserves the right to change specifications and equipment without prior notice.
- The color plates shown may vary slightly from the actual colors due to the limitations of the printing process.
- Please consult your dealer for full information and availability on colors and trims.

Unit : mm



1,485

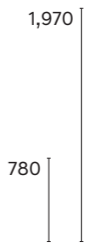
1,740



1,185

2,640

1,350



1,970

780



1,320

\* Above dimensions are based on standard cab extra-long wheel base pictured here